

SAFETY MODULE - BD5934 SAFEMASTER



SPECIFICATIONS

CE, BG, US

Input voltage: 24, 110, 230V AC
24V DC +/-10%

LED for power and states of K1 and K2

Safety Category 4 per DIN EN954-1

Contact ratings: 6A @ 250V AC,
2A @ 230V AC

Relays are positive driven

45mm wide

KEY FEATURES

- 1, 2 or 3 N.O. safety contacts, 0 or 1 N.C. auxiliary contacts
- Emergency stop circuit, interlocks, rope pull and monitor of safety gates and mats
- Single channel input
- Short circuit protection
- Gold contact rated for 300ma @ 60V PLC input
- Satisfies EU directive for machines 98/37/RG, EN60 204-1, DIN VDE 0113-1

CATEGORY 4



BD5934 Series

Part#	Safety Contacts	Aux. Contacts	Input* Devices	List
BD5934.02	2 N.O.	-	1	\$198
BD5934.16	1 N.O.	1 N.C.	1	\$198
BD5934.48	3 N.O.	1 N.C.	1	\$205

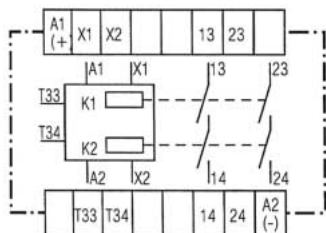
* For safety category 4 or daisy chained input devices for category 3

Voltage Code:

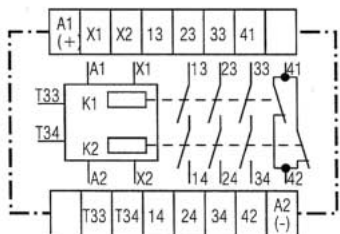
For 24V DC ONLY add suffix "N" to BH P/N
For 24V AC add suffix "G" to BH P/N
For 110V AC add suffix "A" to BI P/N.
For 230V AC add suffix "C" to BI P/N

Example: For a 3 N.O. 1 N.C., 24V DC safety module, P/N will be BH5934.48-N

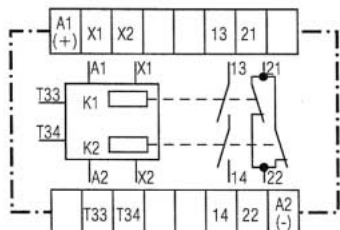
Circuit Diagrams



BD 5934.02

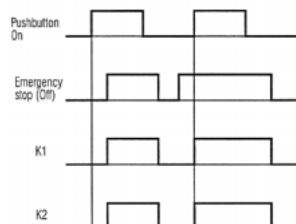


BD 5934.48



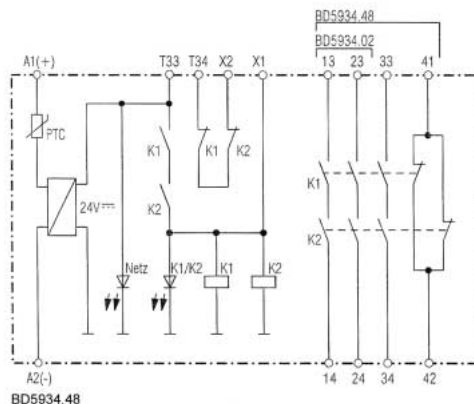
BD 5934.16, BD 5934.16/61

Function Diagram



BN3081.63-N

Block Diagram



BD5934.48

For application examples, see page 66.