

SPECIFICATIONS

CE, BG, C, US

Input voltage: 24, 110, 230V AC, 24V DC

LED indicators for power and K1/K2 status

Safety Category 4 per DIN EN954-1

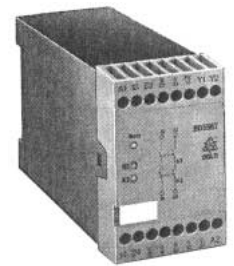
Contact ratings: N.O. 5A, N.C. 2A @ 230V AC

45mm wide

KEY FEATURES

- 1 or 2 N.O. safety contacts, 0 or 1 N.C. auxiliary contacts
- Emergency stop circuits, interlocks, rope pulls and monitor of safety gates and mats
- 1 or 2 channel connections
- Gold contacts rated for 300ma @ 60V PLC input
- Over voltage & short circuit protection

CATEGORY 4



BD5987 Series

Part#	Safety Contacts	Aux. Contacts	Input* Devices	List
BD5987.02	2 N.O.	-	1 or 2	\$196
BD5987.03	2 N.O.	1 N.C.	1 or 2	\$229
BD5987.16	1 N.O.	1 N.C.	1 or 2	\$223

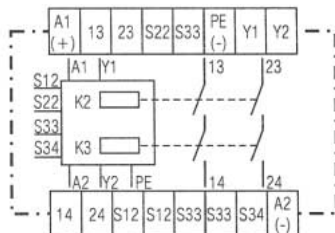
* For safety category 4 or daisy chained input devices category 3

Voltage Code:

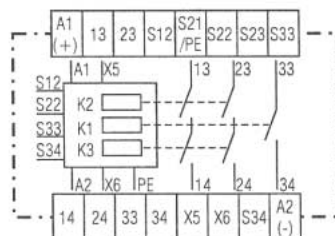
For 24V DC ONLY add suffix "N" to BH P/N
 For 24V AC add suffix "N" to BH P/N
 For 110V AC add suffix "A" to BI P/N.
 For 230V AC add suffix "C" to BI P/N

Example: For a 2 N.O. 1 N.C., 24V DC safety module, P/N will be BD5987.02-N

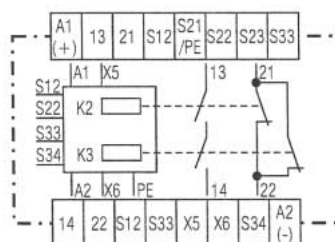
Circuit Diagrams



BD5987.02

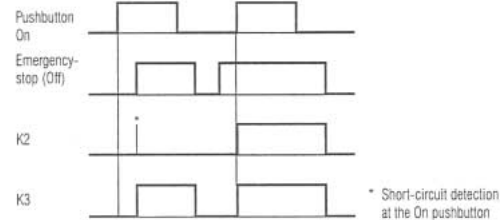


BD5987.03

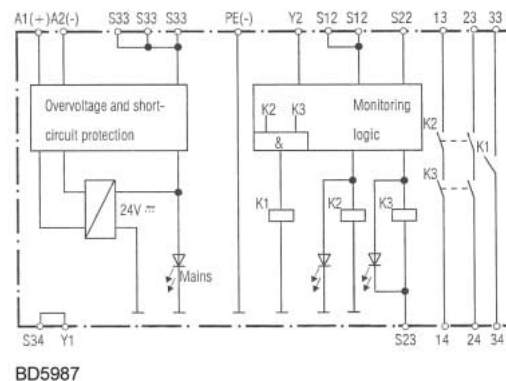


BD5987.16

Function Diagram



Block Diagram



For application examples, see pages 68-69.