

# EMERGENCY STOP MODULE - BH5928 with time delay SAFEMASTER



## SPECIFICATIONS

CSA, CE, BG, cULus

Input voltage: BH 24V DC, 24 AC/DC, BI 110, 230V AC +/-10%

LED indication, power source, 1/2 channel release delay contact

Safety Category 4 per DIN EN954-1

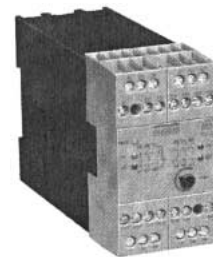
Contact rated at 3A N.O. & 2A N.C. @ 230V AC

BH5928 45mm / BI 5929 67.5mm

## KEY FEATURES

- 3 N.O. or 2 N.C., 1 N.C. non delay, 3 N.O. delay
- Emergency stop safety gate monitoring stop category 1 can be achieved
- 1 & 2 channel operation with or without cross fault monitoring
- Removable terminal strips
- Gold plate contacts rated @ 300ma @ 60V PLC input
- Address EU directive for machines 98/37/EG and per EN 60 204-1, Address EU directive for machines 98/37/EG and per EN 60 204-1, DIN VDE 0113-1, 241-457

## CATEGORY 4



BH5928 Series

Part#	Safety Contacts	Aux. Contacts	Aux.* Delay Release	Input** Devices	List
BH(I)5928.47	3 N.O.	1 N.C.	1 N.O.	1 or 2	\$340
BH5928.91	2 N.O.	-	2 N.O.	1 or 2	\$340
BH(I)5928.92	2 N.O.	1 N.C.	3 N.O.	1 or 2	\$340
BH(I)5928.93	3 N.O.	-	3 N.O.	1 or 2	\$340

\* Auxiliary supply must be supplied for time delay. See time suffix table.

\*\* For safety category 4 or daisy chained input devices for category 3

### Voltage Code:

For 24V DC ONLY add suffix "N" to BH P/N

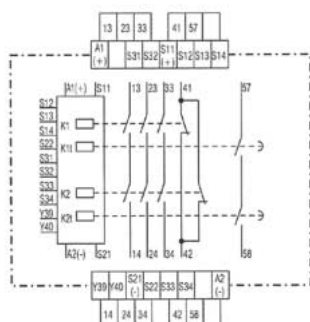
For 24V DC/AC add suffix "GN" to BH P/N

For 110V AC add suffix "A" to BI P/N.

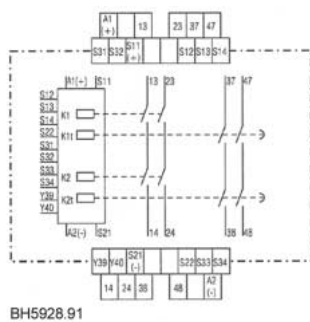
For 230V AC add suffix "C" to BI P/N

**Example:** For a 3 N.O. 1 N.C., 1 N.O. 3.0 to 30 sec. time delay @ 24V DC, P/N will be BH5928.47-EN

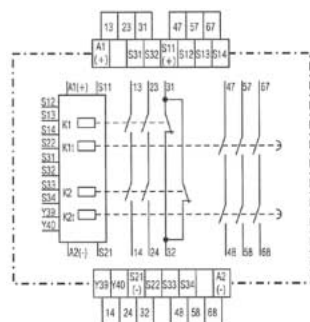
## Circuit Diagrams



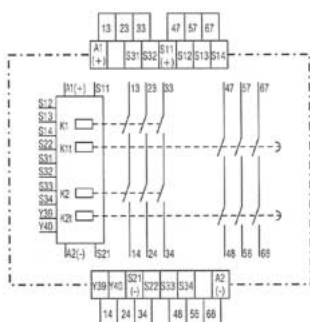
BH5928.47



BH5928.91



BH5928.92



BH5928.93

### Time Suffix: (adjustable)

A .1 - 1 sec.

E 3.0 - 30 sec.

B .3 - 3 sec.

F 6.0 - 60 sec.

C .5 - 5 sec.

G 30 - 300 sec.

D 1.0 - 10 sec.

(fixed)

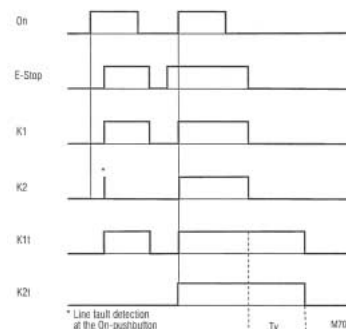
H 1 sec.

L 10 sec.

J 3 sec.

M 300 sec.

## Function Diagram



\* Line fault detection at the On-position



Contact EEControls for BI circuit 110-230V AC circuit diagram.

For application examples, see page 71.