

SPECIFICATIONS	KEY FEATURES	CATEGORY 4
----------------	--------------	------------

CE, BG, C

Input voltage: 24V DC, 230V AC
-15/+10%

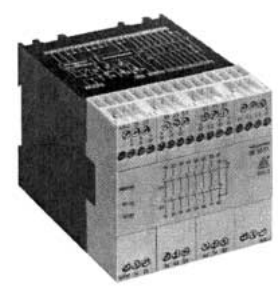
LED indicator for power source K1/K2
and channel 1, 2 and K3
in BL5931.64/003

Safety Category 4 per DIN EN954-1

Contact ratings: N.O. 5A @ 230V
AC, N.C. 2A @ 230V AC

90mm wide

- 5, 6 or 7 N.O. safety contacts, 1 or 4 N.C. auxiliary contacts
- Emergency stop circuits, interlocks, rope pulls and monitor of safety gates and mats
- Line fault detection at the on-pushbutton
- Optional cross fault detection in the emergency stop circuit
- Removable terminals
- Feed back circuit for monitoring external contactors



BL5931 Series

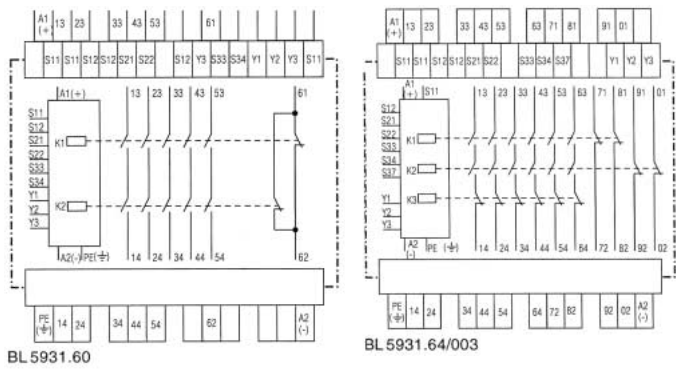
Part#	Safety Contacts	Aux. Contacts	Input* Devices	List
BL5931.60	5 N.O.	1 N.C.	1 or 2	\$482
BL5931.63	7 N.O.	1 N.C.	1 or 2	\$482
BL5931.64	6 N.O.	4 N.C.	1 or 2	\$482

*For safety category 4 or daisy chained input devices for category 3

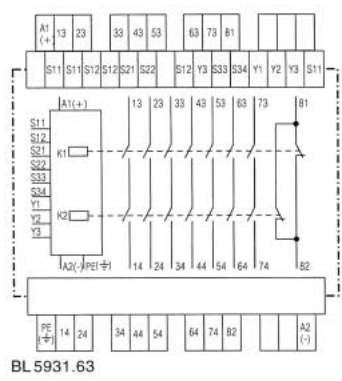
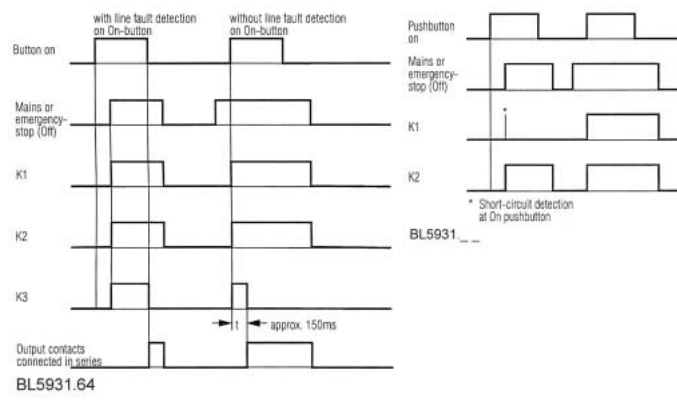
Voltage Code:
For 24V DC ONLY add suffix "N" to BH P/N
For 230V AC add suffix "C" to BI P/N

Example: For a 5 N.O. 1 N.C., 24V DC safety module, P/N will be BL5931.60-N

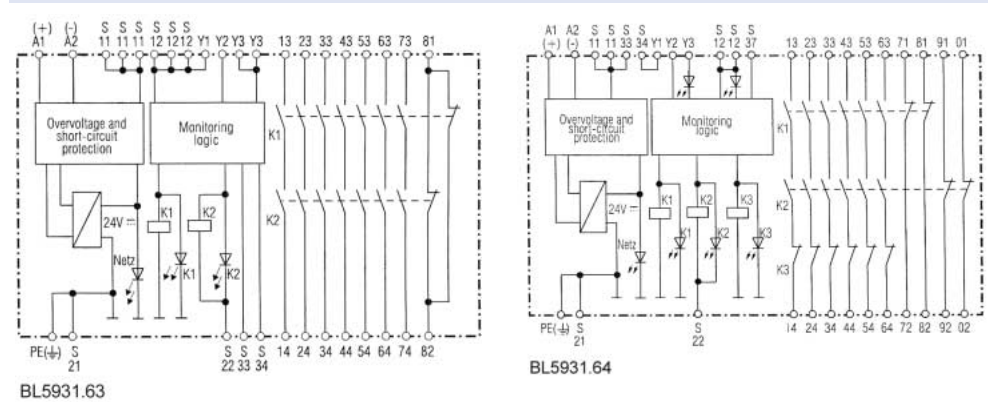
Circuit Diagrams



Function Diagrams



Block Diagrams



For application examples, see pages 72-73.