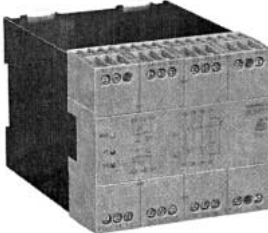


TWO HAND SAFETY RELAY - BL5933

SAFEMASTER



SPECIFICATIONS	KEY FEATURES	CATEGORY 4
<p>CE, BG, cULUS</p> <p>Input voltage: 24V DC, 24, 110, 230V AC or 24V DC & 230V AC</p> <p>Safety level type III-C per EN954-1</p> <p>Contact ratings: 5A @ 230V AC</p> <p>90mm wide</p>	<ul style="list-style-type: none"> • 2, 3 N.O. safety contacts, 0, 1 N.C. auxiliary contacts • Two hands must be accounted for BEFORE and during dangerous machine operation • Press machines, metalworking • Optional dual voltage available • 2 push button inputs with 1 N.O., 1 N.C. • Feed back input available for monitoring of external contacts 	 <p>BL5933 Series</p>

Part#	Safety Contacts	Aux. Contacts	Input* Devices	List
BL5933.02	2 N.O.	-	2	\$408
BL5933.48	3 N.O.	1 N.C.	2	\$408

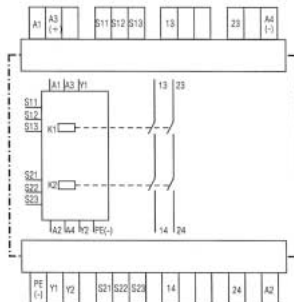
*For safety category 4 or daisy chained input devices for category 3

Voltage Code:

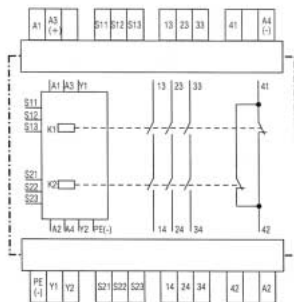
For 24V DC ONLY add suffix "N" to BH P/N
 For 24V AC add suffix "G" to BH P/N
 For 110V AC add suffix "A" to BI P/N
 For 230V AC add suffix "C" to BI P/N

Example: For a 3 N.O. 1 N.C. 1 N.O. time delay @ 24V DC safety module, P/N will be BH5928.47-N

Circuit Diagrams

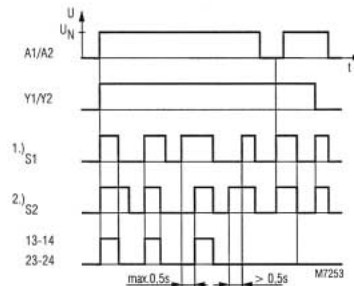


BL 5933.02/024



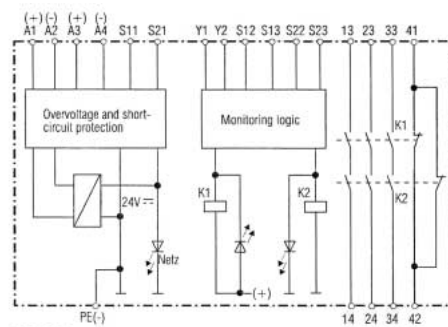
BL 5933.48/024

Function Diagram



BL5933

Block Diagram



BL5933

For application examples, see page 77.