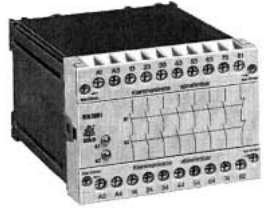


EXPANSION MODULE - BN3081 SAFEMASTER



SPECIFICATIONS	KEY FEATURES	CATEGORY 4
<p>CE, BG, cULUS</p> <p>Input voltage: 24V DC/AC, 230V AC +/-10%</p> <p>Led indicator for K1/K2 status</p> <p>Safety category 4 per DIN EN954-1</p> <p>Contact ratings: 5A (N.O.) and 2A (N.C.) @ 230V AC</p> <p>100mm wide</p>	<ul style="list-style-type: none"> • 7 N.O. safety contacts, 1 N.C. auxiliary contact • Used in creating additional contacts for emergency stop modules and/or safety door monitor • Use to achieve EC directive for machines 98/37/EG, per IEC 204-1, EN 60204-1, and DIN VDE 0113-1 • Redundant and positive guided contacts • 1 or 2 channel connector • Removable terminal strips 	 <p>BN3081 Series</p>

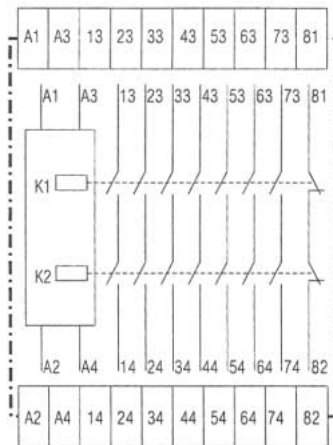
Part#	Safety Contacts	Aux. Contacts	List
BN3081.63	7 N.O.	1 N.C.	\$203

Voltage Code:

For 24V DC ONLY add suffix "N" to BH P/N
 For 24V DC/AC add suffix "GN" to BH P/N
 For 110V AC add suffix "A" to BI P/N
 For 230V AC add suffix "C" to BI P/N

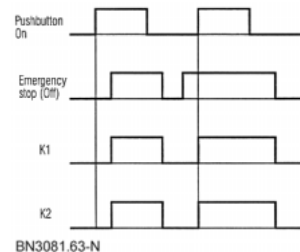
Example: For a 7 N.O. 1 N.C. @ 24V DC safety module, P/N will be BN3081.63-N

Circuit Diagram



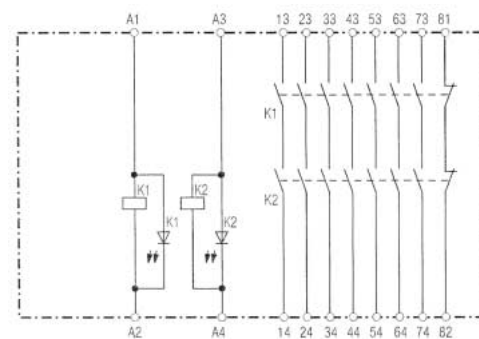
BN3081.63N

Function Diagram



BN3081.63-N

Block Diagram



BN3081.63N