
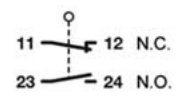
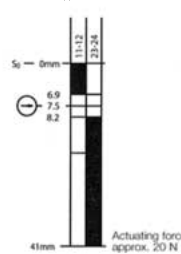
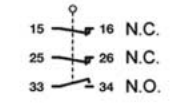
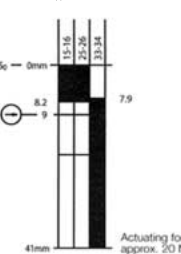
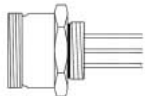
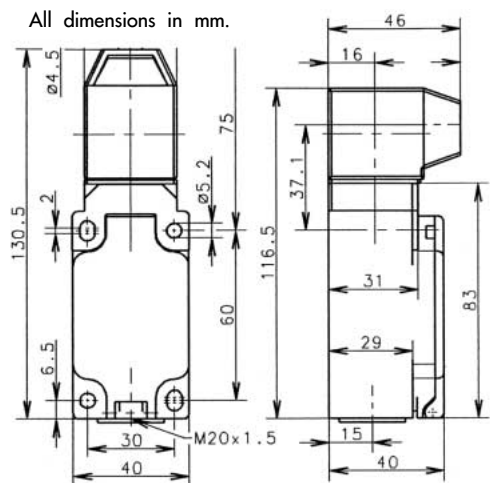


SPECIFICATIONS	KEY FEATURES	2, 3 POLE
<p><b>NEMA 4, 12</b></p> <p>2, 3 Pole</p> <p>10<sup>6</sup> Mechanical Operations</p> <p>10 Amp 250V AC, 2 Pole</p> <p>10 Amp 400V AC, UL, 3 Pole</p> <p>-22° F + 176° F min/max temp.</p> <p>6 lbs. Door Holding Force</p> <p>4.4 lbs. Closing Force</p> <p>Key Entry Rotates 4 x 90°</p> <p>Cable Entry Thread M20 x 1.5 + 1/2" NPT</p> <p>IEC 947-5-1</p>	<ul style="list-style-type: none"> <li>• <b>Four key entry locations</b>★</li> <li>• Screw Terminals</li> <li>• Quick Connect Option</li> <li>• Glass Reinforced Thermoplastic</li> <li>• Positive Opening N.C. contact →</li> <li>• Tamper Resistant</li> <li>• Steel "BR" flexible key, 6" min. Closing Radius</li> </ul> <p>★ Switch head rotates, permits four different side key entry locations.</p>	<p style="text-align: center;"><b>Non-Metal</b></p> <p style="text-align: right;">1.6"</p>  <p style="text-align: left;">4.6"</p> <p style="text-align: center;"><b>ENK Series</b></p> <p>Actuator keys sold separately. See page 10.</p>

Part #	ENK-U1Z VTU	ENK-U15Z VTU
<b>List Price</b>	<b>\$116</b>	<b>\$120</b>
Contact layout → (with key inserted)	 <p>11 — 12 N.C. 23 — 24 N.O.</p> <p style="text-align: center;">Slow-Action</p>  <p>Actuating force approx. 20 N</p>	 <p>15 — 16 N.C. 25 — 26 N.C. 33 — 34 N.O.</p> <p style="text-align: center;">Slow-Action</p>  <p>Actuating force approx. 20 N</p>
Contact travel mm Tol. ± 0.25 mm	6.9 7.5 8.2	8.2 9
Actuating force N Tol. ± 10%	20	20
In Out		



### Quick Connect

#### Option:

See page 25.  
For Plug and Socket options.



### Cord Grip Cable Gland Option:

Add "GR" to part # to replace the standard M20 to 1/2" NPT Adaptor.  
For 5mm to 13mm cable diameter

**Example:** ENK-U1Z VTU-GR  
(no extra charge)



### Metal 1/2" NPT:

adaptor supplied standard.

### Technical Specifications

#### Contacts:

Sliver - Nickel alloy

#### Short Circuit Protection:

6A slow blow, 10A fast blow

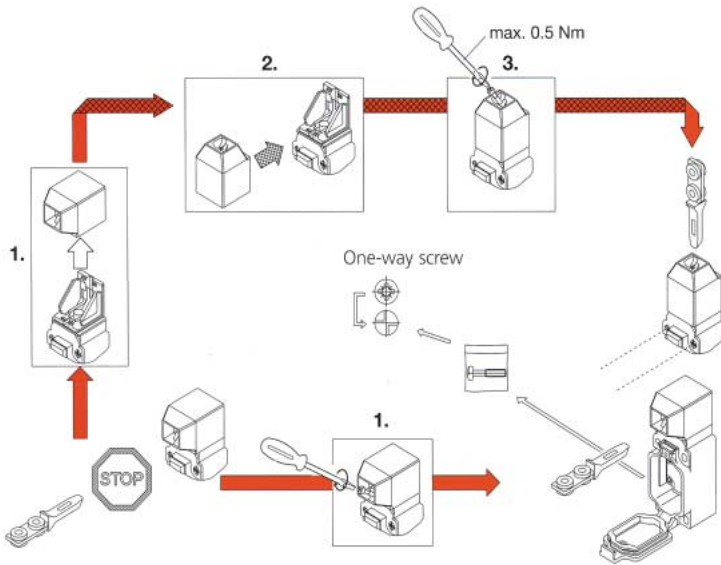
#### Max Wire Size:

Standard or Solid  
20 AWG (0.5mm<sup>2</sup>) to  
16 AWG (1.5mm<sup>2</sup>)

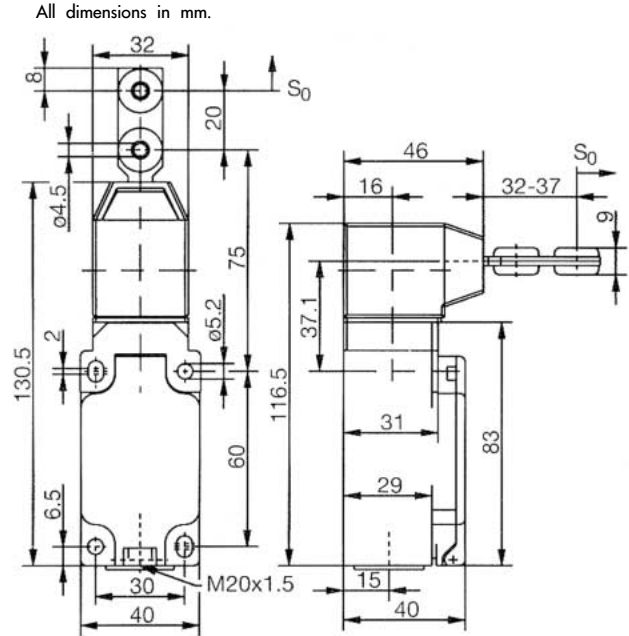
**Max switching distance per second:** 5 ft.

**Max switching operations per minute:** 30

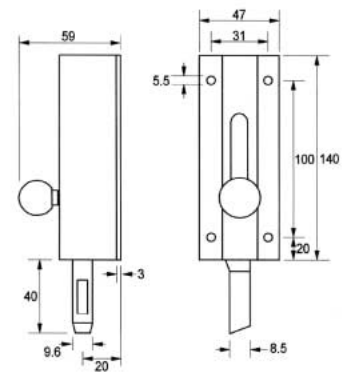
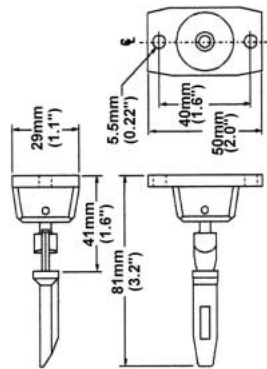
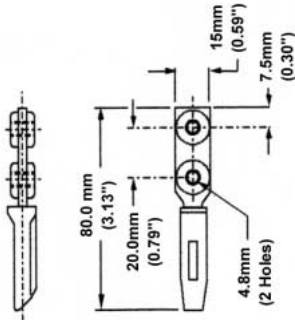
# INTERLOCK SWITCH - ENK 2,3 POLE



**EIGHT KEY ENTRY LOCATIONS**



All dimensions in mm (in).



Part #	K-FLAT	RR-FLEX	VTW-LATCH
List \$	\$18	\$70	\$148
Min Closing Radius	16"	6"	



- Stainless steel + Polyamide



- Flexible
- Adjustable key angle
- Stainless steel
- Four 90° position choices of key on the keys mounting base



- Side bolt
- Convenient manual operation