


# STAINLESS OR POLYCARBONATE CODED MAGNET SWITCHES

with internal door holding magnet



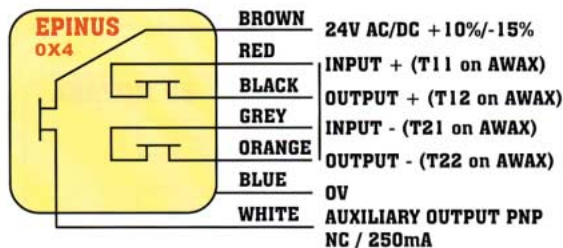
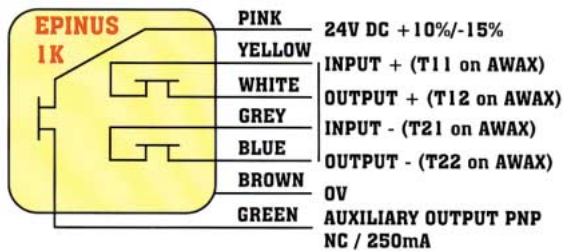
SPECIFICATIONS	KEY FEATURES	
<p><b>CE, EN 60947-5-1/2/3</b></p> <p>NEMA 4X, 6, IP67</p> <p>24V AC, -15% +10%, 35ma supply</p> <p>24V DC, -15% +10%, 25ma supply</p> <p>2 closed safety contacts*, 24V DC, 500ma</p> <p>Aux. 1 open contact* 24V AC /DC 250ma</p> <p>30 G Shock Resistance</p>	<ul style="list-style-type: none"> <li>-13°F, +158°F (OX4 version)</li> <li>+140°F (1K version)</li> <li>Waterproof</li> <li>Level 4 with module</li> <li>Door holding magnet</li> <li>19.5 ft wires</li> </ul>	 <p><b>EPINUS OX4 Series</b> Ideal for Food Industry</p>

\*Contacts listed with power "ON" & door "CLOSED".

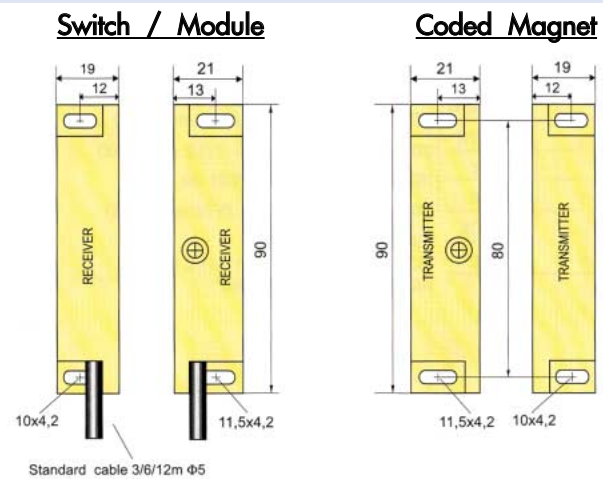
Switch + Magnet Part#	Version	List
EPINUS 1K	2.2 lb magnet polycarbonate	\$142
EPINUS OX4	9 lb magnet stainless steel	\$495
GM 5	Door handle option	\$65

### Electrical Diagrams

All wiring diagrams with power "OFF" and door "OPEN" or "CLOSED".



### EPINUS 1K Dimensions



Views: Top Side Top Side

EPINUS OX4 dimensions, see page 40.

### Door Handle Option



Part#  
GMS  
List \$65

Door handle option shown with stainless steel EPINUS OX4.

Contact factory for plug / socket connect version.

## Function

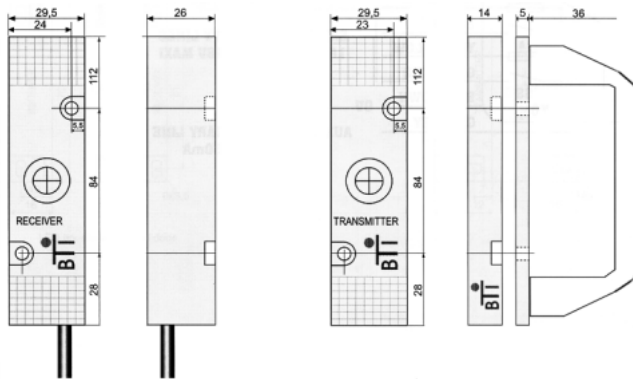
When targets, on receiver and on transmitter are in line, the safety switch stays in position by its magnetic latch. With power on, if codes are recognized, safety switches closed safety contact stays closed, the auxiliary open contact remains open.

When the door is open, with power on, the switches closed safety contacts open and the open auxiliary contact closes providing the same voltage as the power supply.

Detection is possible through 2mm stainless steel or polycarbonate wall.

## Size

### Epinus 0X4 Dimensions (mm)



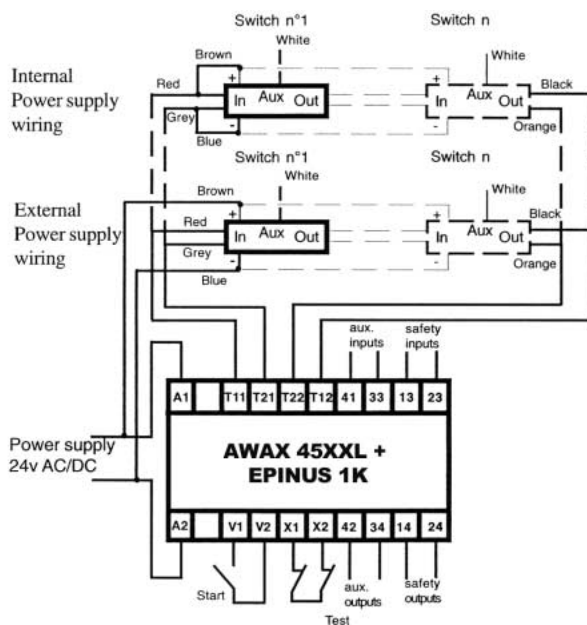
## Wiring

### Epinus 0X4 Wiring Diagram

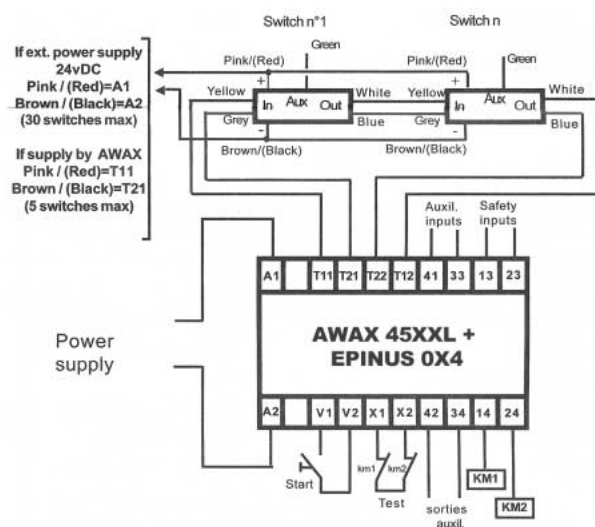
Max. safety switches		
PS = Power Supply	Internal PS*	External PS
AWAX26XXL	4	15
AWAX45XXL	5	30

\* Max. of safety switches with 30ma for each auxiliary output (**15ma with AWAX26**). For greater auxiliary output current, it is necessary to specify a new quantity safety switches, see AWAX output current.

All wiring diagrams with power "OFF" and door "OPEN" or "CLOSED".



Daisy chained to one module = Level 3 (shown)  
Single switch = Level 4



Daisy chained to one module = Level 3 (shown)  
Single switch = Level 4