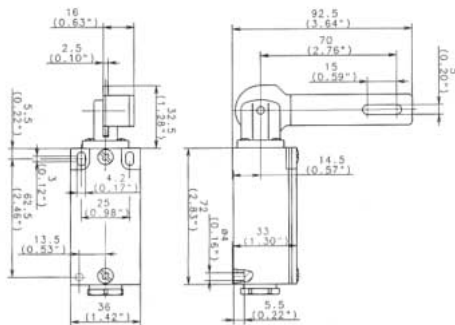
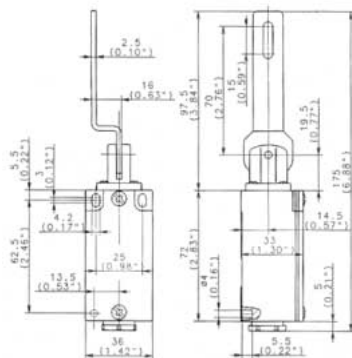


SPECIFICATIONS	KEY FEATURES	2 POLE
<p>NEMA 4, 12</p> <p>2 Pole</p> <p>10⁶ Mechanical Operations</p> <p>10Amp, 120V UL</p> <p>6 Amp, 300V, CSA</p> <p>-22° F + 176° F min/max temp.</p> <p>Head Rotates 4 x 90°</p> <p>Cable Entry Thread M20 + 1/2" NPT</p> <p>UL, CSA, CE, BG, IEC 947-5-1</p> <p>BG Safety Agency Approved</p>	<ul style="list-style-type: none"> • Four hinge directions★ • Screw Terminals • Quick Connect Option • Glass Reinforced Thermoplastic - 188 - U Series • Metal body - GC - Series • Positive Opening N.C. contact → 	<p>Narrow Profile for Confined Spaces</p> <p>2.4" 1.4"</p> <p>GC + 188 Series</p>

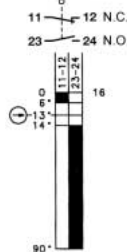
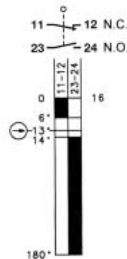
Metal Housing - GC Series



GC-U1Z VKW
\$112 List Price



GC-U1Z VKS
\$112 List Price



Technical Specifications

Contacts:

Sliver - Nickel alloy

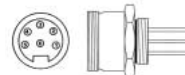
Short Circuit Protection:

6A slow blow, 10A fast blow

Max Wire Size:

Standard or Solid 20 AWG (0.5mm²) to 16 AWG (1.5mm²)

Max switching operations per minute: 50



Quick Connect Option:

See page 25.

For Plug and Socket options.

Metal 1/2" NPT Option:

Non-Metal 1/2" NPT Adaptor supplied standard.

For Metal Adaptor, add "ME" to part #.

(Metal adaptor standard with GC version).

Example: 188-U1ZVKWRE-ME (no extra charge)



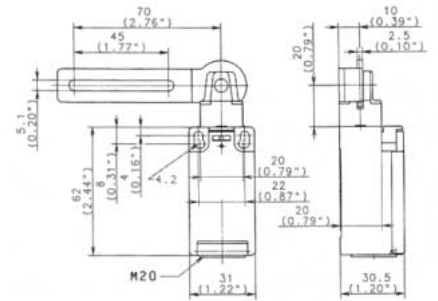
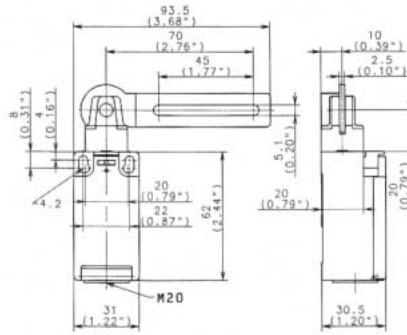
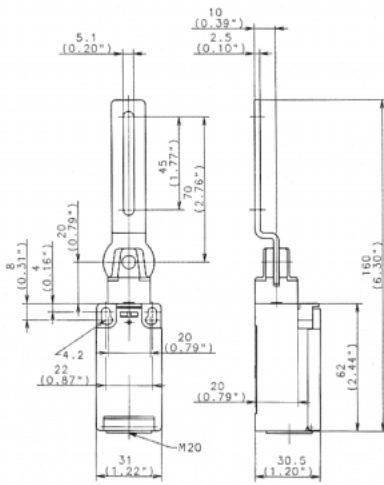
Cord Grip Cable Gland Option:

Add "GR" to part # to replace the standard M20 to 1/2" NPT Adaptor. For 5mm to 13mm cable diameter.

Example: 188-U1ZVKURE-G2 (no extra charge)



HINGED INTERLOCK SWITCH



188-U1Z VKS



188-U1Z VKW RE



188-U1Z KW L1

Non-Metal Housing	Part#	188-U1Z VKS	188-U1Z VKW RE	188-U1Z KW L1
List Price		\$48	\$48	\$48
Contact layout →				
Switching angle ° Tol. ± 3.5°				
Actuator torque Ncm Tol. ± 10%				
On Off				