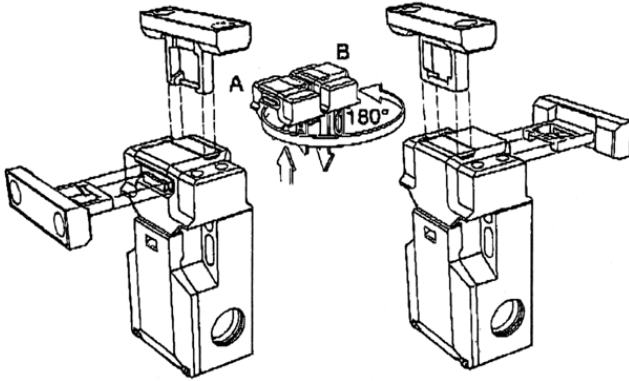
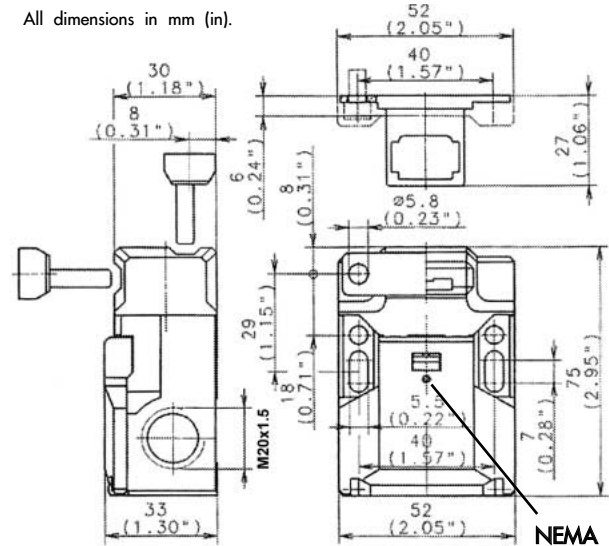


All dimensions in mm (in).



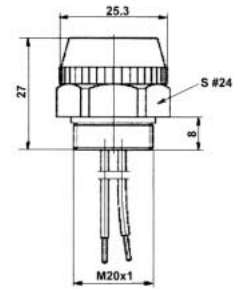
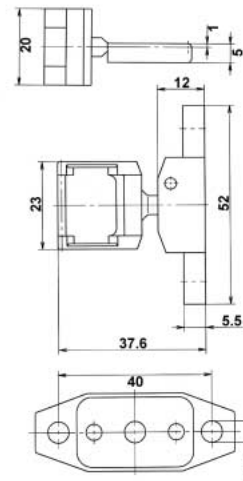
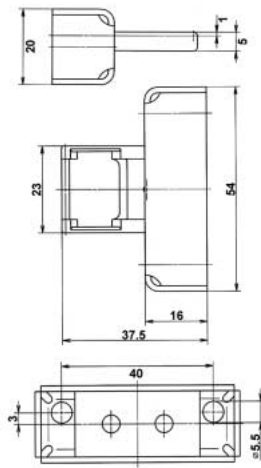
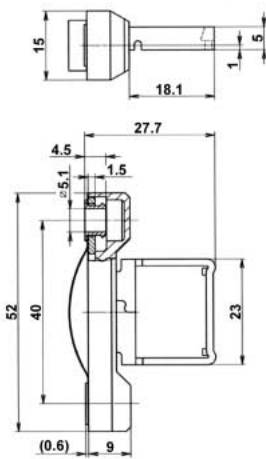
FOUR KEY ENTRY LOCATIONS



SK - 2, 3 Pole

NEMA 4X
with contact cover
screw attached
(included with switch)

All dimensions in mm.



Red pilot light (for ON or OFF)
Attach in cable entry opening.

<u>Volt</u>	<u>Part#</u>	<u>List</u>
24-230V	M-20 PILOT	\$56

Part #	M4-Key	F-Key	MRU-Key	SK-Handle
List \$	\$8	\$16	\$22	\$54
Min Closing Radius	6"	6"	2"	



- Stainless steel + polyamide
- M - magnet \$29
- Key with door holding magnet 11 → 23lbs.



- Spring loaded to accommodate overtravel and vibration
- Stainless steel + polyamide



- Flexible
- Adjustable horizontally & vertically
- Stainless steel
- Spring loaded to accommodate overtravel, vibration



- MANUAL KEY HANDLE
- For loose doors, gates, fences
- Includes chain

Maximum actuator speed 1 yard per second.