


SPECIFICATIONS	KEY FEATURES	
<p>CE, EN 954-1 EN 60947-5-1/2/3</p> <p>24V DC, 15ma max. supply -15% +10%</p> <p>2 closed contacts, 250ma max.</p> <p>1-5mm "ON" switching distance</p> <p>7mm opening switching "OFF" distance</p> <p>30 G Shock Resistance</p> <p>NEMA 4X, IP67</p>	<ul style="list-style-type: none"> • Compact • Attractive \$ Value • LED indicates "ON" actuation • Polycarbonate Housings • Waterproof 	<div style="border: 1px solid black; padding: 5px; display: inline-block;">Solid state design</div>  <p>OPTOPUS Series \$88 List Price</p>

Switch + Magnet Part#	Safety Contacts*	List
OPTOPUS	2 closed	\$88

*Contacts listed with power "ON" and door "CLOSED".

Daisy chained in series with one AWAX module = **Level 3** capability.

One OPTOPUS with AWAX 45 XXL safety module = **Level 4** capability.

Standard cable length 9.75 ft. For 19.5 ft. cable, add "-6M" to part# & add \$12.

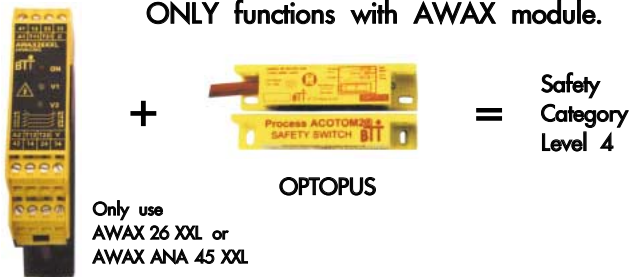
Example: OPTOPUS -6M \$88 + \$12 = \$100

Electrical Diagram

All wiring diagrams with power "OFF" and door "OPEN" or "CLOSED".

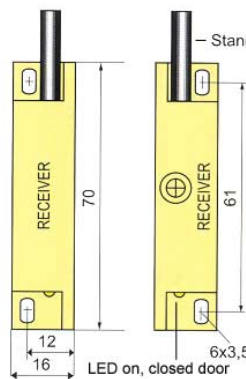


ONLY functions with AWAX module.

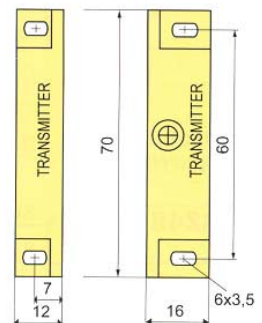


Dimensions

Switch & Module



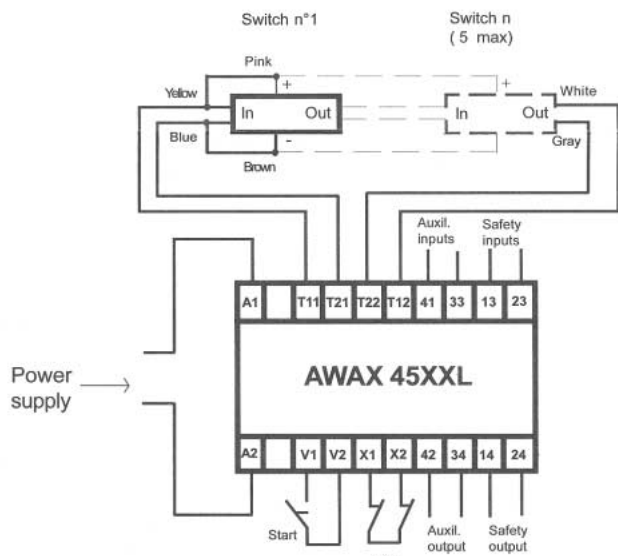
Coded Magnet



Views: Top Side

Top Side

All wiring diagrams with power "OFF" and door "OPEN" or "CLOSED".



* example with AWAX ANA45 see page 47.