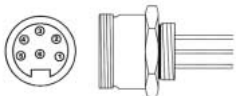


SPECIFICATIONS	KEY FEATURES	2 POLE
<p>NEMA 4, 12</p> <p>2 Pole</p> <p>10⁶ Mechanical Operations</p> <p>10 Amp 250V AC</p> <p>-22° F + 176° F min/max temp.</p> <p>11 lbs. Door Holding Force</p> <p>10mA min. current</p> <p>Key Entry Rotates 4 x 90°</p> <p>Cable Entry Thread M16 x 1.5 + 1/2" NPT</p> <p>UL, CSA, CE, BG, IEC 947-5-1</p> <p>BG Safety Agency Approved</p>	<ul style="list-style-type: none"> • Eight key entry locations★ • Screw Terminals • Quick Connect Option • Glass Reinforced Thermoplastic • Positive Opening N.C. contact → • Tamper Resistant • 2" Min. Closing Radius "MRU" key, Die Cast Aluminum • Stainless Steel M-3 key, 6" min. Closing Radius <p>★ Switch head rotates, permits four different side and four top key entry locations.</p>	<p>Narrow Profile for Confined Spaces</p> <p>1.18"</p> <p>3.27"</p> <p>SKT Series \$48 List Price</p> <p>Actuator keys sold separately. See page 4.</p>

Part #	SKT-U1Z-F150 M3	SKT-SU1Z-F150 M3	SKT-A2Z-F150 M3	SKTS-A2Z-F150 M
<p>Contact layout → (with key inserted)</p> <p>Contact travel mm (inch) Tol. ± 0.25 mm</p> <p>Switch angle degree Tol. ± 3.5°</p> <p>Actuating force N Tol. ± 10%</p> <p>Actuating torque Ncm Tol. ± 10%</p> <p>1) actuator in 2) actuator out</p> <p>In Out</p>	<p>11 — 12 N.C.</p> <p>23 — 24 N.O.</p> <p>Slow-Action</p> <p>21.5 (0.85)</p> <p>4.4 (0.17)</p> <p>4.3 (0.17)</p> <p>4 (0.16)</p> <p>mm (inch)</p>	<p>13 — 14 N.O.</p> <p>21 — 22 N.C.</p> <p>Snap-Action</p> <p>21.5 (0.85)</p> <p>6 (0.24)</p> <p>4.5 (0.18)</p> <p>3.7 (0.15)</p> <p>mm (inch)</p>	<p>11 — 12 N.C.</p> <p>21 — 22 N.C.</p> <p>Slow-Action</p> <p>21.5 (0.85)</p> <p>4.5 (0.18)</p> <p>4.2 (0.17)</p> <p>mm (inch)</p>	<p>11 — 12 N.C.</p> <p>21 — 22 N.C.</p> <p>Slow-Action</p> <p>21.5 (0.85)</p> <p>6 (0.24)</p> <p>4.5 (0.18)</p> <p>3.9 (0.15)</p> <p>mm (inch)</p>



Quick Connect Option:
See page 25.
For Plug and Socket options.

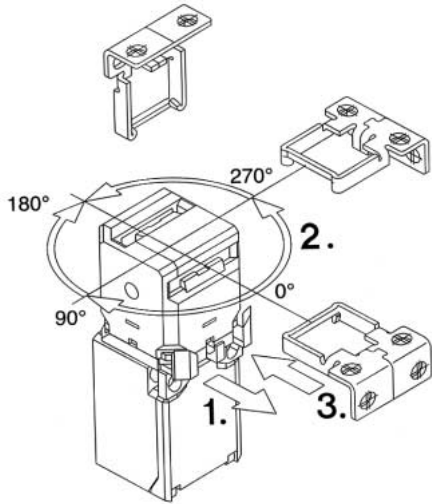


Metal 1/2" NPT Option:
Non-Metal 1/2" NPT adaptor supplied standard.
For Metal Adaptor, add "ME" to part #.
Example: SK-UV15ZF30M-ME
(no extra charge)



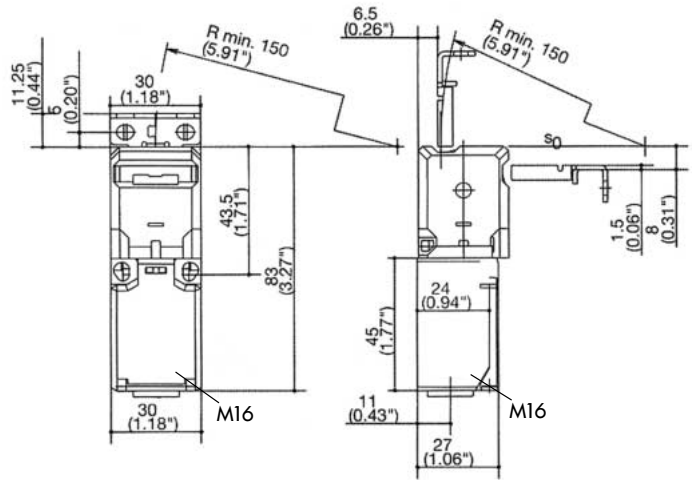
Cord Grip Cable Gland Option:
Add "GRIP" to part # to replace the standard M16 to 1/2" NPT Adaptor.
For 3mm to 10mm cable diameter
Example: SKT-U1Z-GRIP
(no extra charge)

COMPACT INTERLOCK SWITCH - SKT



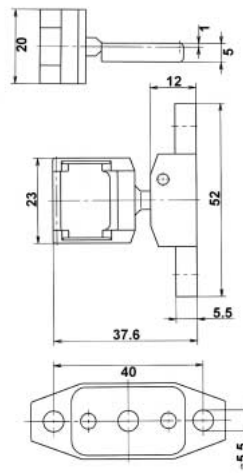
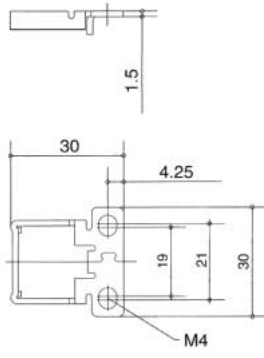
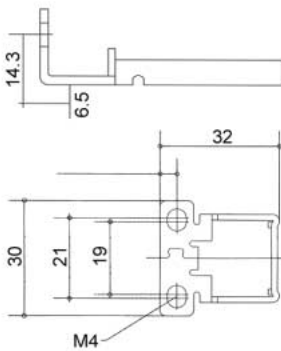
EIGHT KEY ENTRY LOCATIONS

All dimensions in mm (in).



M16 to 1/2" NPT plastic adaptor supplied on standard models.

All dimensions in mm.



Technical Specifications

Contacts:

Sliver - Nickel alloy

Short Circuit Protection:

6A slow blow, 10A fast blow

Max Wire Size:

Standard or Solid
From 20 AWG (0.5mm²) to:
16 AWG (1.5mm²)

Max switching distance per second: 5 ft.

Max switching operations per minute: 30

Part #	M-3 Key	M-2 Key	MRU-Key
List \$	\$6	\$6	\$22
Min Closing Radius	6"	6"	2"



• Stainless steel



• Stainless steel



- Flexible
- Adjustable horizontally & vertically
- Stainless steel
- Spring loaded to accommodate overtravel, vibration