


SPECIFICATIONS	KEY FEATURES	4 POLE
<p>NEMA 4X, 6, 12, IP67</p> <p>4 Pole</p> <p>1,000,000 Mechanical Operations</p> <p>10 Amp 250V AC, IEC</p> <p>440 lbs. locked, 6 lbs. unlocked holding force</p> <p>-13° F, + 158° F min/max temp.</p> <p>Cable Entry Thread M20 x 1.5 + 1/2" NPT</p> <p>UL, CSA</p> <p>CE, BG, IEC 947-5-1</p> <p>BG Safety Agency Approved</p>	<ul style="list-style-type: none"> • Five key entry locations* • 440 lbs. locked holding force • Five voltages capabilities in one switch! • 24V AC, DC, 48V DC, 120V AC 230V AC • LED Option • Cage clamp or screw terminals • Positive Opening N.C. contact → • Tamper Resistant • 6" closing radius - RR - key • Glass reinforced thermoplastic 	<p>Narrow Profile</p> <p style="text-align: center;">1.7"</p>  <p style="text-align: center;">6.7"</p> <p style="text-align: center;">SLK Series</p> <p>Actuator keys sold separately. See page 20.</p>

Energize Solenoid to lock*

Solenoid Voltage	Actuator Key Position contacts with key engaged	Solenoid Position Contacts with Solenoid locked	Part#	List
24 → 230V AC + 24 → 48V DC + UL, CSA Pending	1 N.C. 1 N.O.	1 N.C. 1 N.O.	SLK MVTU 24 230 MC 5	\$290
24V AC / DC UL, CSA			SLK MVTU 24 UC-55	
24V AC / DC + LED LED "green" signalling the closed safety door LED "yellow" signalling the unlocked position UL, CSA	2 N.C.	1 N.C.	SLK MVTU 24 UC 21-L (Includes 2 LED's)	\$330

* During power failure, the above devices unlock. It is suggested to purchase the devices listed below for applications whereby hazards persist after a power failure occurs, the below devices remain locked.

De-energizing Solenoid, Remove power to lock

Manual allen wrench bypass (solenoid lock bypass)

Solenoid Voltage	Actuator Key Position contacts with key engaged	Solenoid Position Contacts with Solenoid locked	Part#	List
24 → 230V AC + 24 → 48V DC + UL, CSA Pending	1 N.C. 1 N.O.	1 N.C. 1 N.O.	SLK FVTU 24 230 MC 5	\$340
24V AC / DC UL, CSA			SLK FVTU 24 UC-55 AR	\$316
24 → 230V AC + 24 → 48V DC UL, CSA Pending	2 N.C.	1 N.C.	SLK FVTU 24 230 MC 2	\$340
24V AC / DC UL, CSA	2 N.C.	1 N.C.	SLK FVTU 24 UC 21 AR	\$316
24 → 230V AC + 24 → 48V DC + LED UL, CSA Pending	2 N.C.	1 N.C.	SLK FVTU 24 UC 21-L (Includes 2 LED's)	\$340

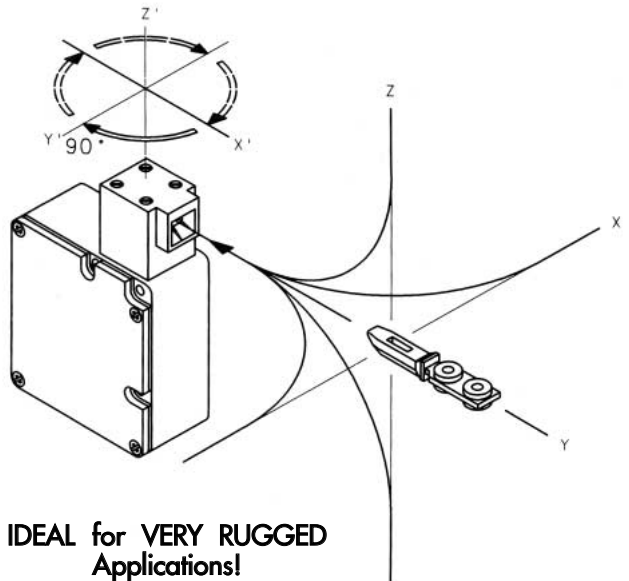
See page 22, 24 for additional specifications.

Type SLK

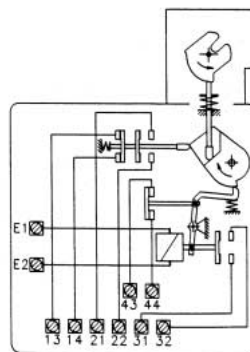
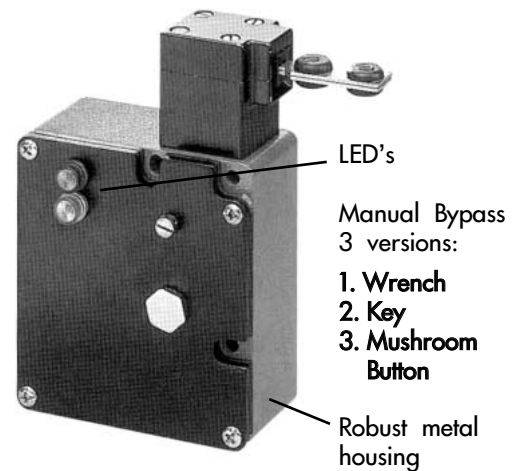
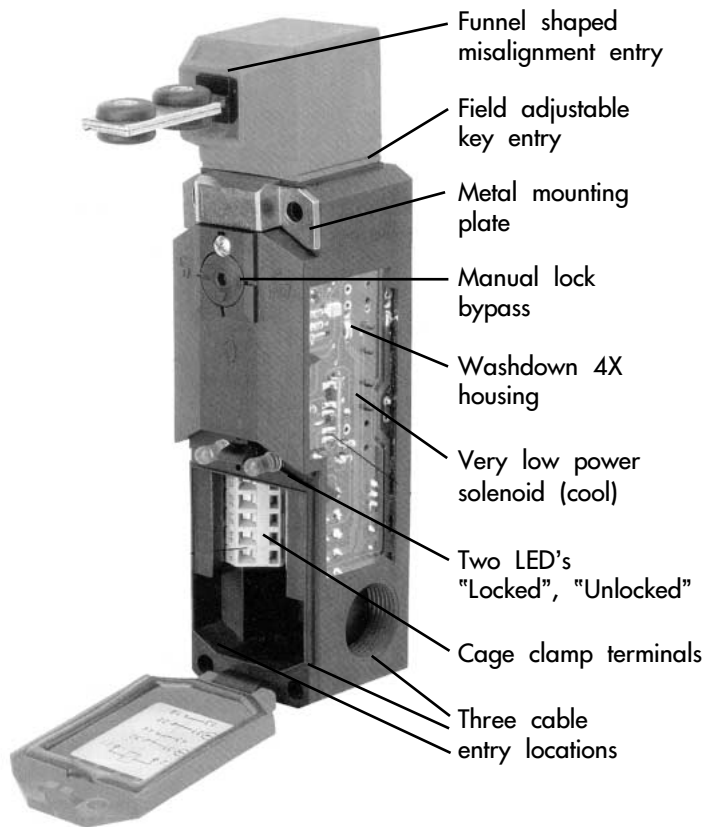


IDEAL for NARROW Locations!

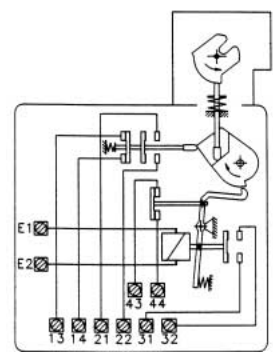
Type SLM



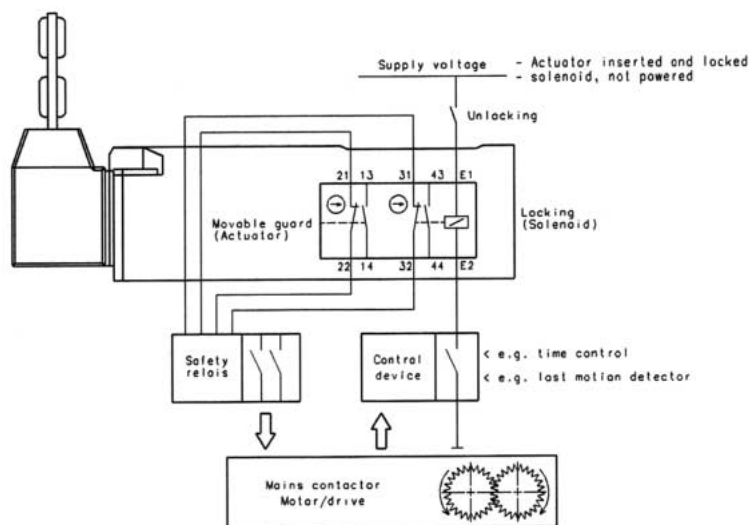
IDEAL for VERY RUGGED Applications!



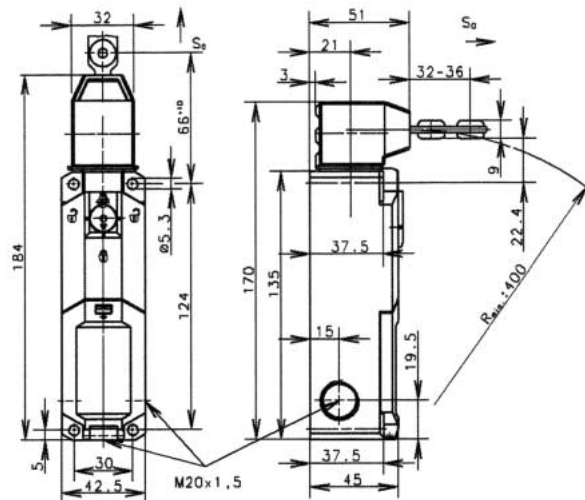
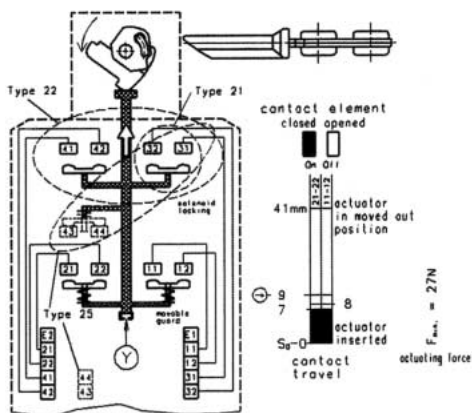
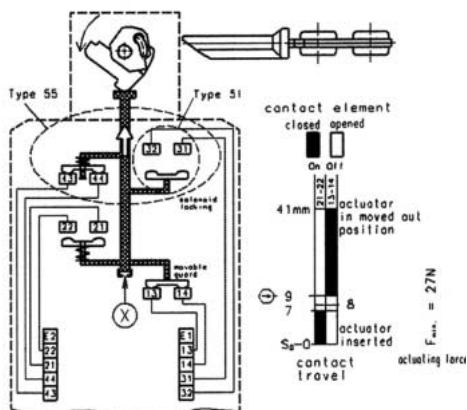
**De-energize to lock
(Remove power to lock)**



**Energize to lock
(Power to lock)**



The contacts for monitoring the position of the movable guard are direct operated by the actuator in order to register direct the position of the guard. The contacts for monitoring the locking function are direct connected with the locking bolt. A failure of the locking function can be detected by the safety relay. The design of the locking is such a kind that the locking cannot be activated while the actuator is not completely inserted into the head of a safety switch. Thus the contacts for monitoring the locking function can also be used to monitor the position of the moveable guard. The possibility to monitor both contacts (moveable guard and locking function) separately leads to a dual channel mode. This feature supports the integration of the SLK safety switch into systems up to category 4 occ. EN 954-1.



Solenoid magnets

Duration of current:	3.4 / 100% ED
Temperature class:	E (248°F)
Pulse power:	56 VA (0.2s)
Holding power:	1.1 VA (constant)
Switching frequency:	600 / h max.

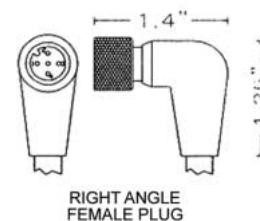
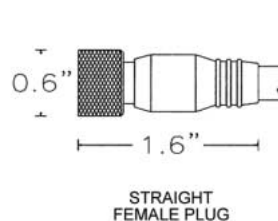
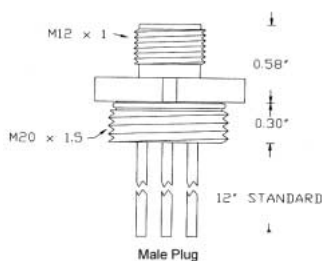
Warning

- The safety switch must not be used as a mechanical end stop.
- The manual bypass can be sealed with; paint, epoxy, or nail polish to prove the switch was bypassed.

QUICK CONNECT OPTIONS

M20 - Male plugs to attach to switches					Female plug with cable			
Face view of male Plug	# of Poles	Wire Colors	AWG	Switch attaches to male receptacles M20 x 1.5 thread	Cable Length (Feet)	Female Straight Plug	Female 90° Degree Plug	90° + Straight List
	4	1-BROWN 2-WHITE 3-BLUE 4-BLACK	22	MDC-4MR-M20 \$14 List	6.5 16 32.5	MDCP-4FP-2M MDCP-4FP-5M MDCP-4FP-10M	MDCP-4FP-2M-R MDCP-4FP-5M-R MDCP-4FP-10M-R	\$30 \$38 \$56
	5	1-BROWN 2-WHITE 3-BLUE 4-BLACK 5-GREY	22	MDC-5MR-M20 \$17 List	6.5 16 32.5	MDCP-5FP-2M MDCP-5FP-5M MDCP-5FP-10M	MDCP-5FP-2M-R MDCP-5FP-5M-R MDCP-5FP-10M-R	\$38 \$58 \$78
	6	1-BROWN 2-WHITE 3-BLUE 4-BLACK 5-GRAY 6-PINK	24	MDC-6MR-M20 \$18 List	6.5 16 32.5	MDCM-6FP-2M MDCM-6FP-5M MDCM-6FP-10M	MDCM-6FP-2M-R MDCM-6FP-5M-R MDCM-6FP-10M-R	\$38 \$58 \$78
	8	1-WHITE 2-BROWN 3-GREEN 4-YELLOW 5-GRAY 6-PINK 7-BLUE 8-RED	24	MDC-8MR-M20 \$24 List	6.5 16 32.5	MDCP-8FP-2M MDCP-8FP-5M MDCP-8FP-10M	MDCP-8FP-2M-R MDCP-8FP-5M-R MDCP-8FP-10M-R	\$38 \$58 \$76

Contact factory for **pre-wired switches** with above male plugs. **Minimum order 20 pcs.**
Cable extension sets are available 3' to 32' feet.



Male Specifications:

Body: Nickel plated brass
 O-Ring: BUNA-N
 Insulator: Polyamide
 Contacts: Copper alloy with gold plating, 4 Amp
 Wires:
 18 AWG: 300V, UL style 1007/1569
 22 AWG: 300V, UL style 1007/1569
 24 AWG: 300V, UL style 1007/1569
 Temperature: -40°C to +105°C (-40°F to +221°F)
 Protection: IP67
 Approvals: U.S.: UL recognized
 Canada: C-UL recognized

Female Specifications:

Connector: Oil resistant pur body, polyamide contact carrier.
 Contacts: Copper alloy with gold plating
 Coupling Unit: Nickel plated brass
 Cable:
 Oil resistant yellow pur jacket, 4 Amp
 Rated at 300V, 80oC. Non-wicking, Non-Hygroscopic.
 7 & 8 cond. have foil shield w/drain wire
 UL style 20233.
 Conductors: 22 AWG bare wire copper, 19 strands,
 Approvals: PVC insulated. (7 & 8 cond. is 24 AWG)
 Temperature: -25°C to -80°C (-13°F to +176°F)
 Protection: IP67
 Approvals: U.S.: UL recognized
 Canada: C-UL recognized