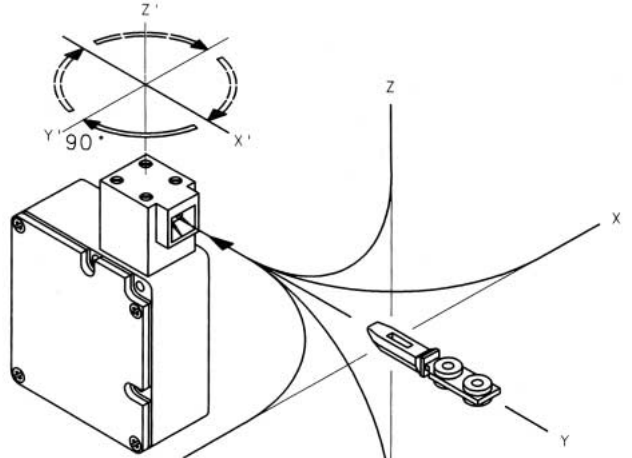


Type SLK

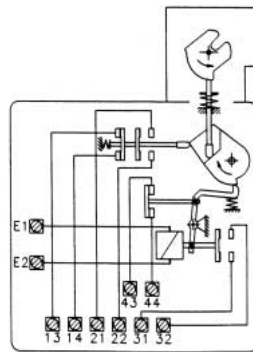
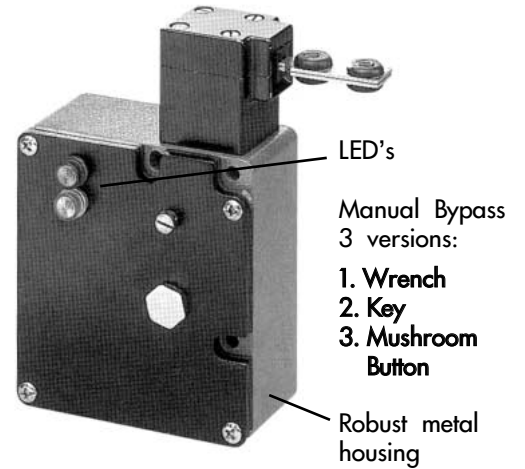
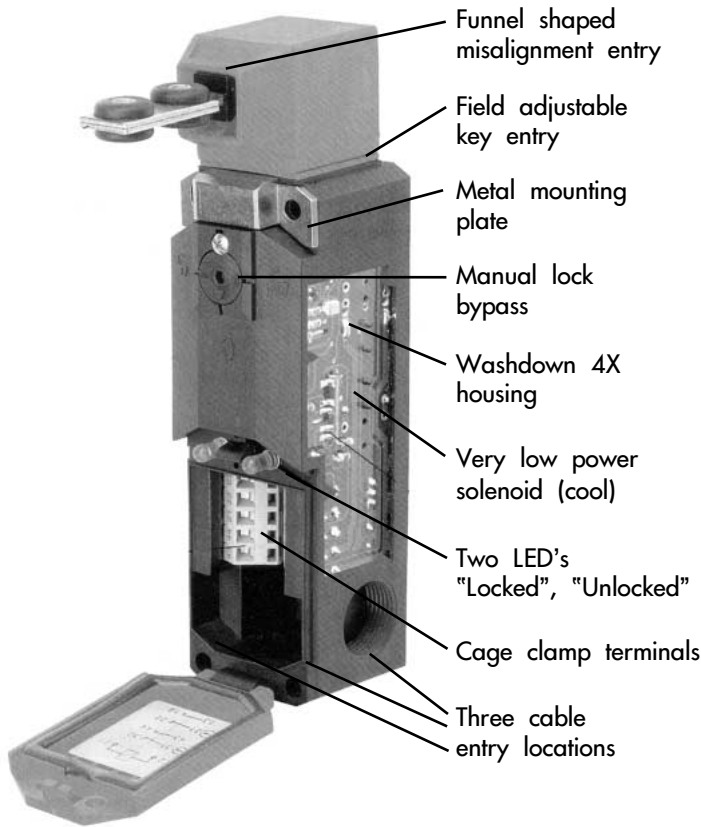


IDEAL for NARROW Locations!

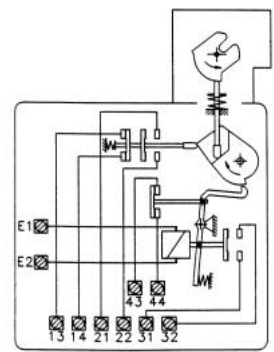
Type SLM



IDEAL for VERY RUGGED Applications!


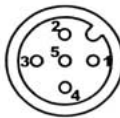




De-energize to lock
(Remove power to lock)

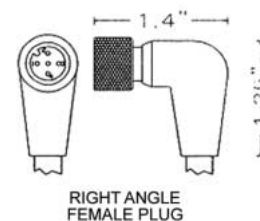
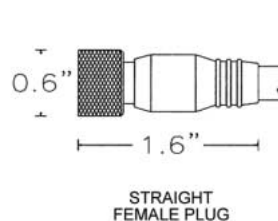
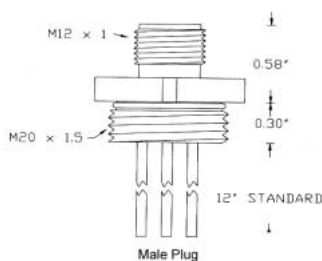


Energize to lock
(Power to lock)

QUICK CONNECT OPTIONS

M20 - Male plugs to attach to switches					Female plug with cable			
Face view of male Plug	# of Poles	Wire Colors	AWG	Switch attaches to male receptacles M20 x 1.5 thread	Cable Length (Feet)	Female Straight Plug	Female 90° Degree Plug	90° + Straight List
	4	1-BROWN 2-WHITE 3-BLUE 4-BLACK	22	MDC-4MR-M20 \$14 List	6.5 16 32.5	MDCP-4FP-2M MDCP-4FP-5M MDCP-4FP-10M	MDCP-4FP-2M-R MDCP-4FP-5M-R MDCP-4FP-10M-R	\$30 \$38 \$56
	5	1-BROWN 2-WHITE 3-BLUE 4-BLACK 5-GREY	22	MDC-5MR-M20 \$17 List	6.5 16 32.5	MDCP-5FP-2M MDCP-5FP-5M MDCP-5FP-10M	MDCP-5FP-2M-R MDCP-5FP-5M-R MDCP-5FP-10M-R	\$38 \$58 \$78
	6	1-BROWN 2-WHITE 3-BLUE 4-BLACK 5-GRAY 6-PINK	24	MDC-6MR-M20 \$18 List	6.5 16 32.5	MDCM-6FP-2M MDCM-6FP-5M MDCM-6FP-10M	MDCM-6FP-2M-R MDCM-6FP-5M-R MDCM-6FP-10M-R	\$38 \$58 \$78
	8	1-WHITE 2-BROWN 3-GREEN 4-YELLOW 5-GRAY 6-PINK 7-BLUE 8-RED	24	MDC-8MR-M20 \$24 List	6.5 16 32.5	MDCP-8FP-2M MDCP-8FP-5M MDCP-8FP-10M	MDCP-8FP-2M-R MDCP-8FP-5M-R MDCP-8FP-10M-R	\$38 \$58 \$76

Contact factory for **pre-wired switches** with above male plugs. **Minimum order 20 pcs.**
Cable extension sets are available 3' to 32' feet.



Male Specifications:

Body: Nickel plated brass
 O-Ring: BUNA-N
 Insulator: Polyamide
 Contacts: Copper alloy with gold plating, 4 Amp
 Wires:
 18 AWG: 300V, UL style 1007/1569
 22 AWG: 300V, UL style 1007/1569
 24 AWG: 300V, UL style 1007/1569
 Temperature: -40°C to +105°C (-40°F to +221°F)
 Protection: IP67
 Approvals: U.S.: UL recognized
 Canada: C-UL recognized

Female Specifications:

Connector: Oil resistant pur body, polyamide contact carrier.
 Contacts: Copper alloy with gold plating
 Coupling Unit: Nickel plated brass
 Cable:
 Oil resistant yellow pur jacket, 4 Amp
 Rated at 300V, 80oC. Non-wicking, Non-Hygroscopic.
 7 & 8 cond. have foil shield w/drain wire
 UL style 20233.
 Conductors: 22 AWG bare wire copper, 19 strands,
 Approvals: PVC insulated. (7 & 8 cond. is 24 AWG)
 Temperature: -25°C to -80°C (-13°F to +176°F)
 Protection: IP67
 Approvals: U.S.: UL recognized
 Canada: C-UL recognized