


STAINLESS STEEL CODED SWITCH

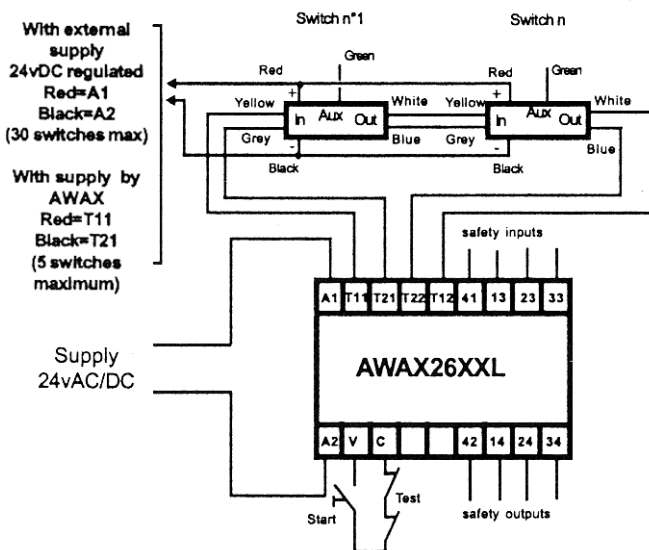
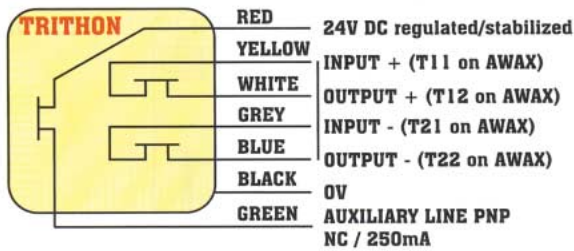


SPECIFICATIONS	KEY FEATURES	
<p>CE, EN 954-1 EN 60947-5-1/2/3</p> <p>NEMA 4X, 6, IP68</p> <p>24V DC -15% +10%, 30ma max</p> <p>Safety output 2 closed contacts*, 24V DC,</p> <p>Aux. 1 open contact*, 24V AC/DC 250ma</p> <p><i>*Contacts listed <u>with</u> power "ON" & door "CLOSED".</i></p> <p>1-9mm "ON" switching distance</p> <p>11mm opening switching "OFF" distance</p> <p>30 G Shock Resistance</p>	<ul style="list-style-type: none"> • +230°F • Stainless steel • Submersible • Teflon cable • Large misalignment gap: 0-9mm "ON", 11+ mm "OFF" • 30° rotating movement • Level 4 with AWAX module 	<div style="border: 1px solid black; padding: 5px; width: fit-content; margin: 0 auto;">High Heat Resistance</div>  <p>Trithon Series \$364 List Price</p>

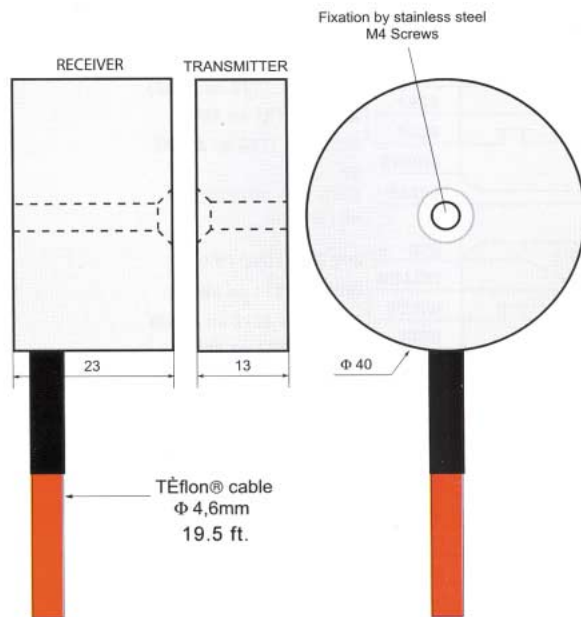
IDEAL FOR FOOD PROCESSING where extreme temperatures with frequent aggressive cleaning fluids exist 230°F.

Electrical Diagrams

All wiring diagrams with power "OFF" and door "OPEN" or "CLOSED".



Dimensions



Safety Level 4 capability Trithon + one module.

Daisy chained to one module = Level 3.

Trithon switches are operational with AWAX safety modules.