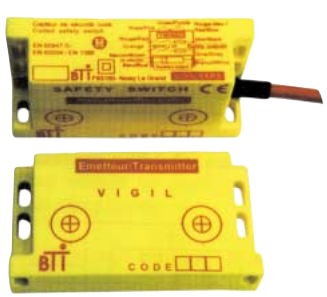


CODED MAGNET SWITCHES - VIGIL

with BUILT IN safety module = Level 4



SPECIFICATIONS	KEY FEATURES	CATEGORY 3, 4
<p>CE, EN 954-1/2, EN60947-5-1</p> <p>TUV-VIGIL SXRS</p> <p>24V AC / DC, +10% -15%</p> <p>1-10 mm "ON" switching distance</p> <p>12mm opening switching "OFF" distance</p> <p>Two closed* safety contacts, 2 Amp</p> <p>One 250ma auxiliary</p> <p>Internal 2 Amp Fuse</p> <p>NEMA 4X, IP67</p>	<ul style="list-style-type: none"> • Internal Safety Module, level 3, 4 • Self Monitoring • Option: Unique individual codes for each switch • Large misalignment gap: 12mm in-out, 9mm left-right, up-down • LED indicates "ON" position • Polycarbonate Submersible Housings 	 <p>VIGIL Series</p>

Switch + Magnet Part#	Closed Safety Contacts*	Open Aux. Contacts*	Safety Category	List
VIGIL SXRS	2	1	Level 4	\$290
VIGIL SXR	2	1	Level 3	\$260

* Contacts listed with power "ON" and door "CLOSED".

Standard cable length 9.75ft. For 19.5ft. cable, add "-6M" to part# & add \$12.00 List.

Example: VIGIL SXR-6M \$260 + \$12 = \$272

Achieves category level 4 without expensive difficult to wire separate safety modules!

ADVICE

Only one **SXRS** switch is needed on a double door. Level 4 without safety module.

Multiple **SXR** switches permitted in Series Level 3.

OPTION:

Vigil SXRS, SXR Series are available with unique individual codes for each switch. Add suffix to part# for up to 124 different codes.

Without the suffix# all switches then share the same actuator code.

Suffix#: -002 through -124

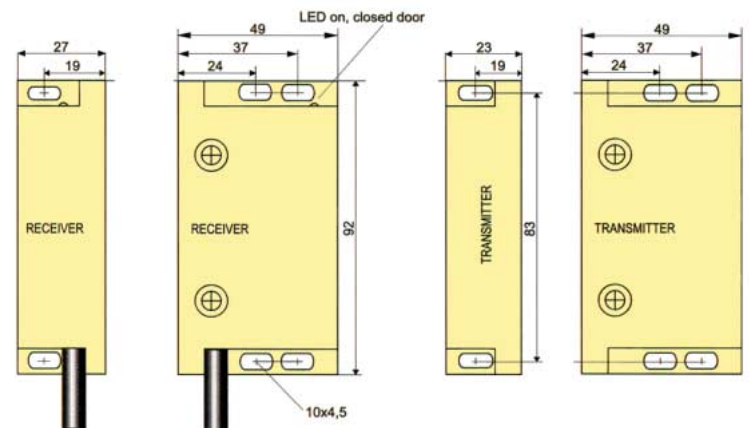
Example: VIGIL SXRS-002

For application examples, see page 65.

Dimensions

Switch & Module

Coded Magnet



Views: Top

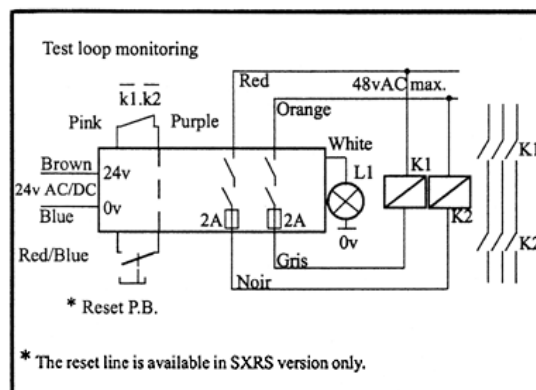
Side

Top

Side

Electrical Diagrams

All wiring diagrams with power "OFF" and door "OPEN" or "CLOSED".



SXRS/SXR contact position in case of failure

